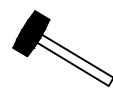
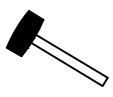
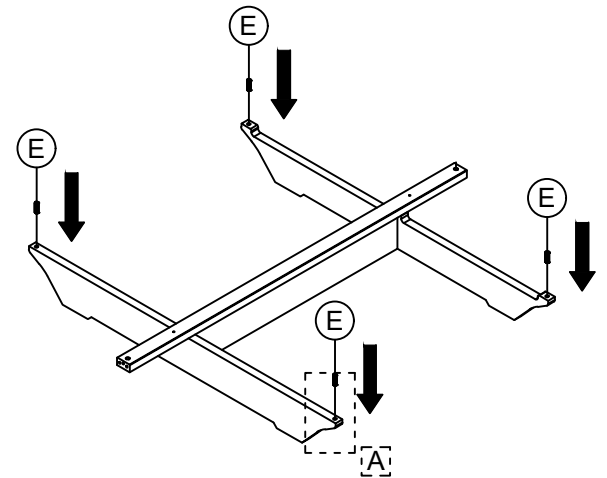
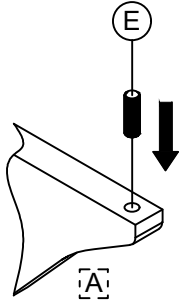
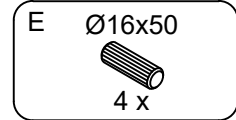
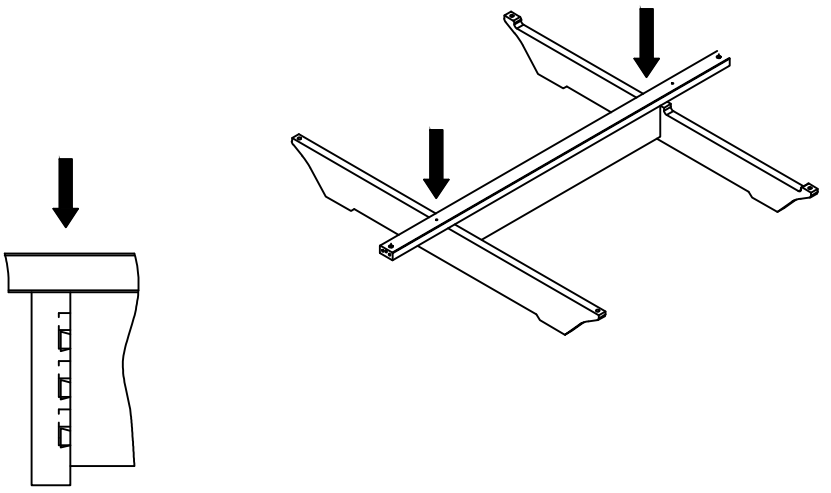
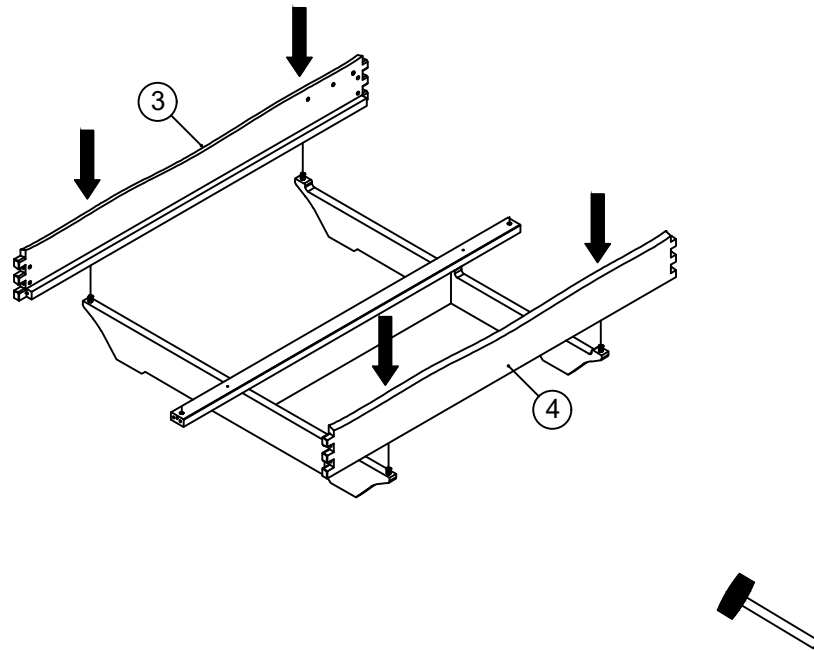


Schwebbett

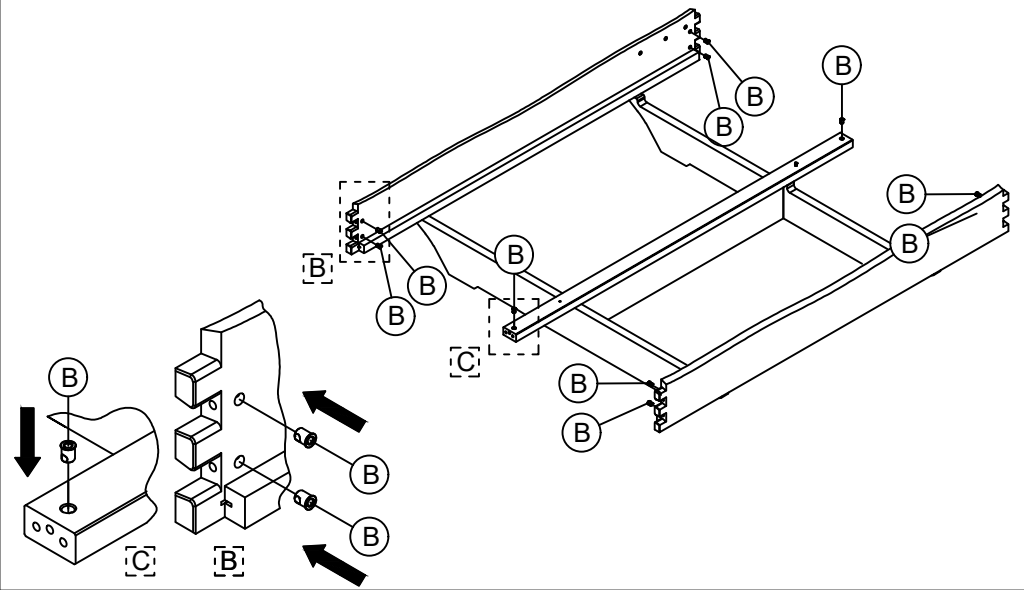


4



5

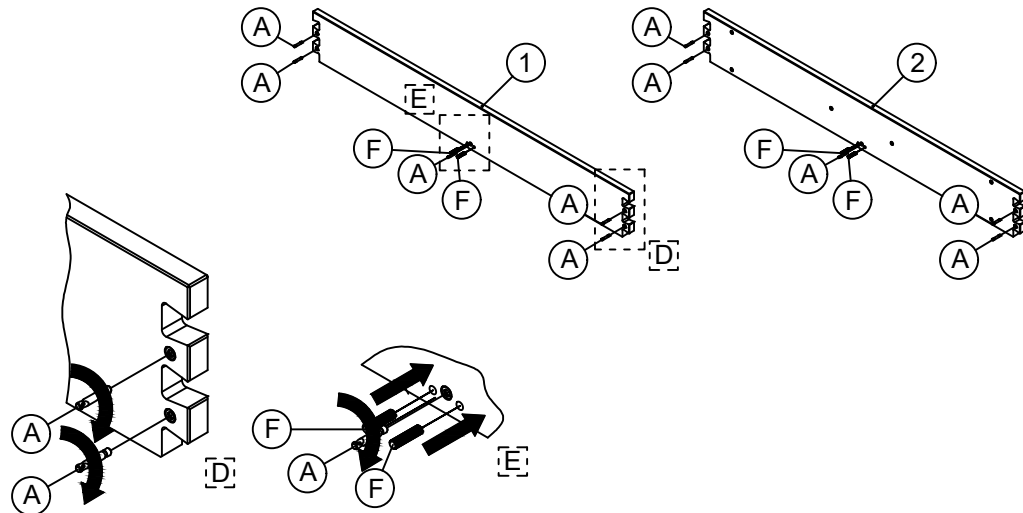
B  $\varnothing 14 \times 17$   
10 x



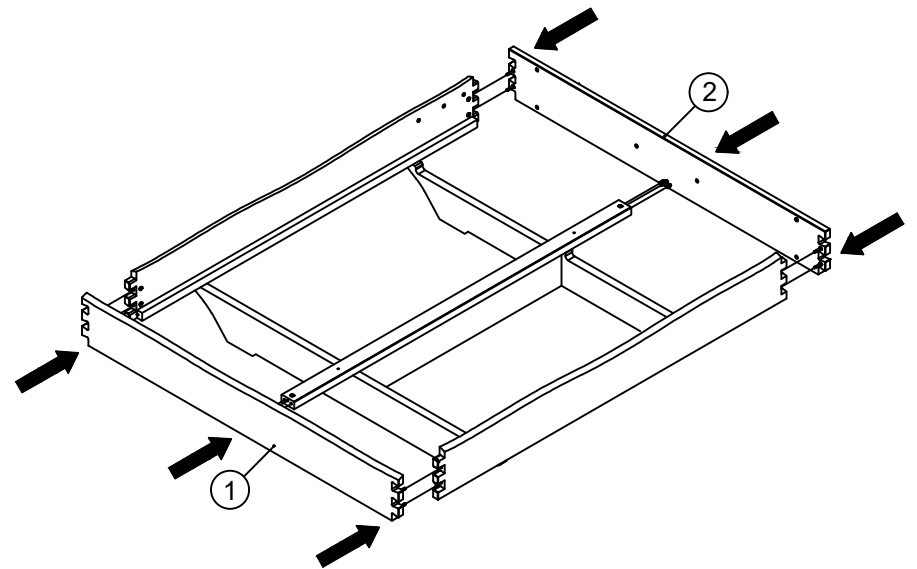
6

A  $\varnothing 8 \times 46$   
10 x

F  $\varnothing 10 \times 40$   
4 x

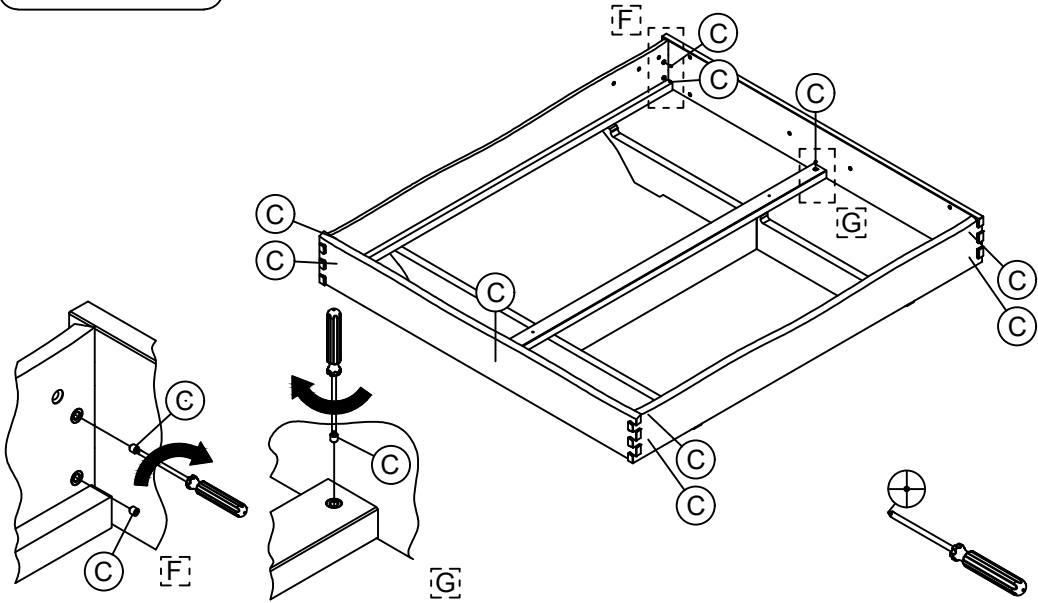


7



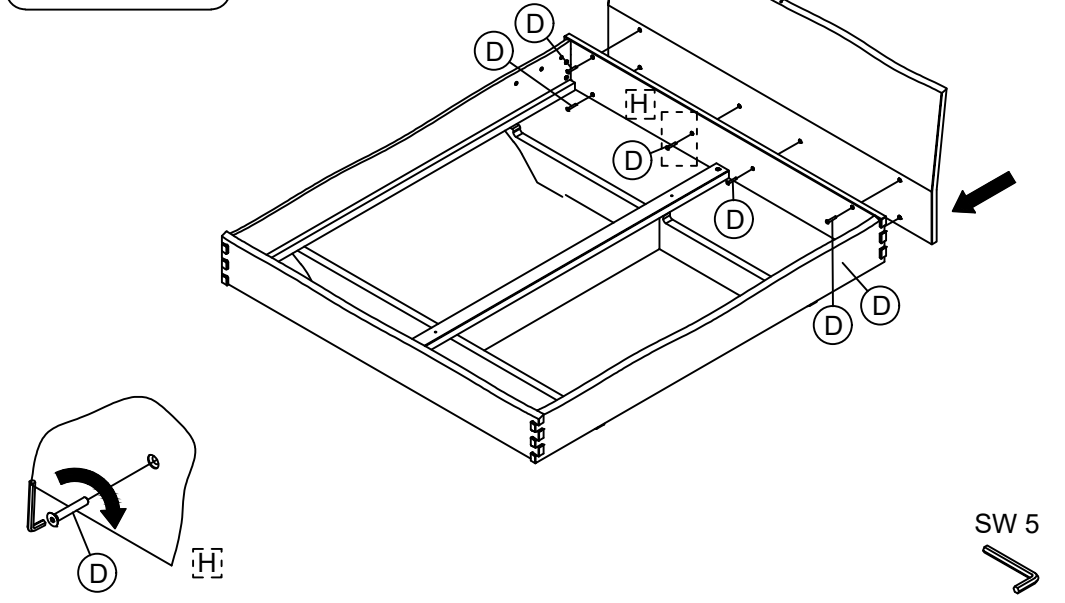
C M8x10  
10 x

8



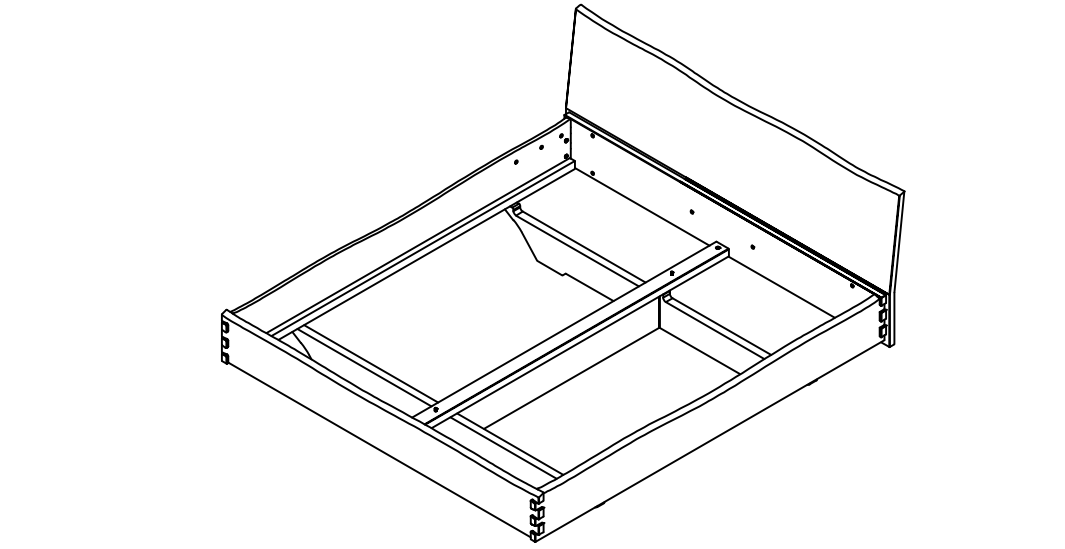
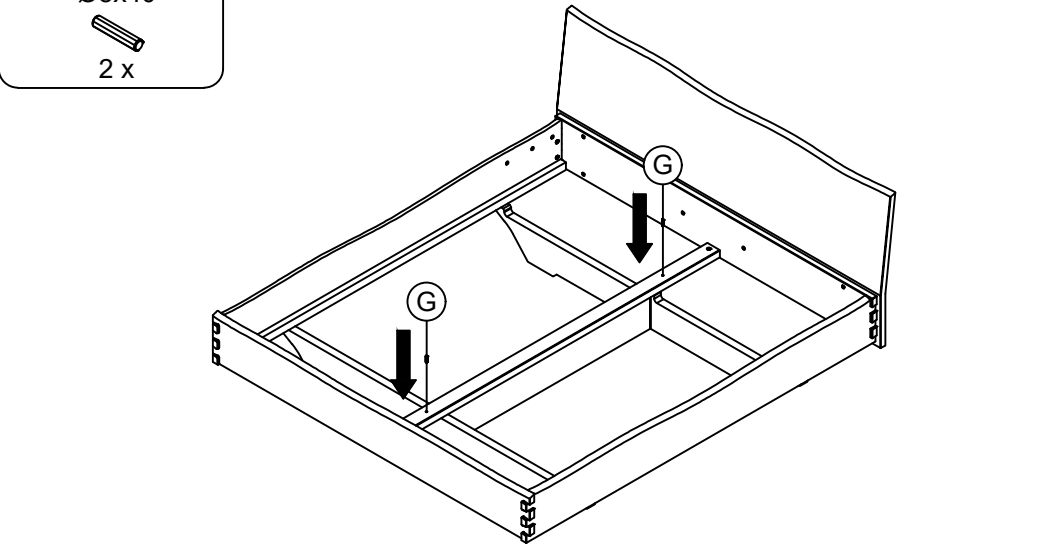
D M8x50  
6 x

9



G Ø8x40  
2 x

10



SW 5